



Enriching Lives

KOPL

DRIVE
TURBINE

KIRLOSKAR EBARA PUMPS LIMITED

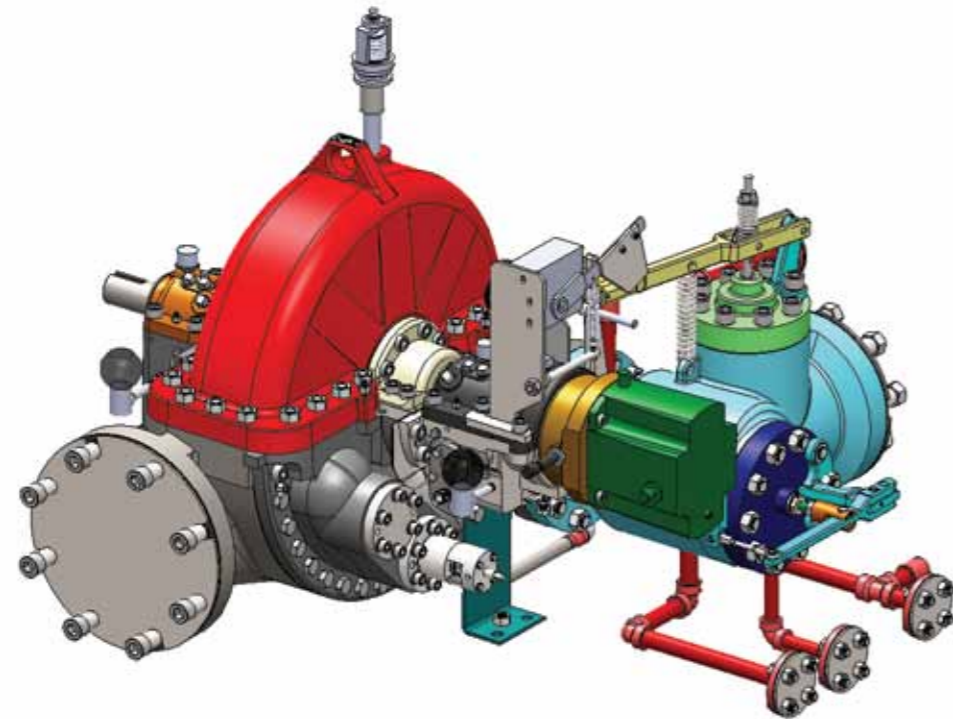
A Kirloskar Group Company

K-Tur-ing the needs...

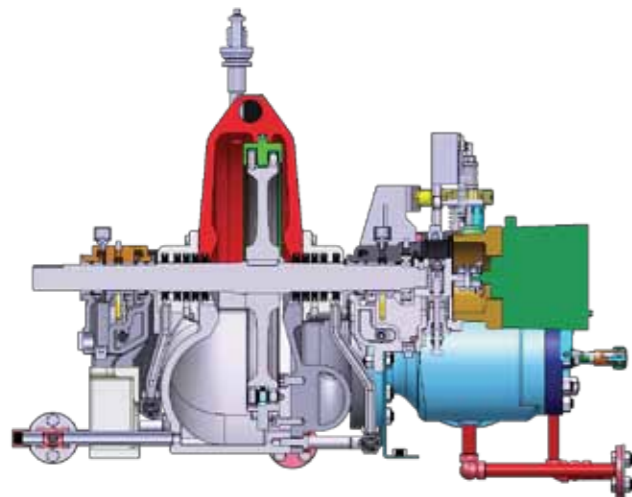
The name KEPL has been synonymous with:

- Indigenously manufactured installed base of over 220 API turbines in the faithful service of Indian Oil and Gas companies
- Expertise and skilled people with Deep technical skill in supporting various consultants such as EIL, TCE, UHDE, PDIL, FLUOR, TECHNIP etc. from concept through execution of projects
- Providing Service at doorstep for the Indian users, by the people who truly understand their needs

In the Era of “make in India” KEPL proudly takes a giant leap from “made in India” to “Engineered and Designed in India”. Continuing our promise to serve you, through high quality, reliability and commitment, it is our immense pleasure to announce development of API 611 compliant steam turbine which is first of its kind by an Indian team from an engineering and manufacturing company in India.



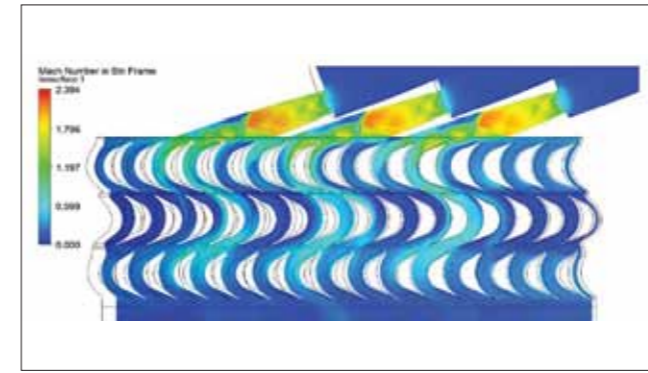
With a vast technical experience, KEPL is now launching its indigenously developed API Steam Turbine for drive applications complying to API 611, latest edition. The turbines are designed with the modern philosophies adopted by KEPL.



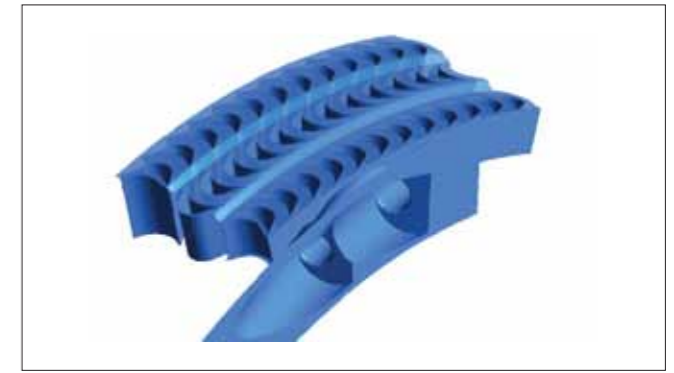
The present range of the turbines is as under:

Frame	KT-B	KT-D
Power (in Kw)	50 to 1000	1000 to 3000
Maximum Inlet Pressure (Bar)	48	63
Maximum Inlet Temperature (°C)	482	482
Maximum Exhaust Pressure (Bar)	10	10 / Condensing
Maximum Speed (RPM)	5500	5500

Note : Further development upto 7.5 MW is under process



Blade Rows 2D Model



Blade Rows 3D Model

KEPL maintains its customer delight by ensuring delivery of complete turnkey packages customised as per the requirement specified by the customer. A team of well trained engineers is geared up to provide prompt services for the entire spectrum from pre bid support to project execution right upto erection and commissioning of turbines.

With vast experience of working with the consultants and end users for meeting their needs of steam turbines we would like to draw your attention to the following:

Highest Quality and Reliability

KEPL is an approved manufacturing facility by major global Oil & Gas, Petrochemicals end users and consultants; especially those from the Middle East and Western Europe.

Experience

Manufacture, Supply, Erection/ Commissioning of API 611 steam turbines since 2003.

Acceptance

More than 200 core turbines manufactured at KEPL factory in Kirloskarvadi, India.

International Quality

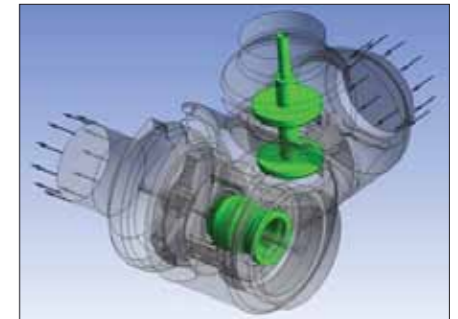
KEPL has exported around 9000 turbine components manufactured at KEPL works, to international OEMs for various API compliant turbines installed around the world.

Exhibited performance

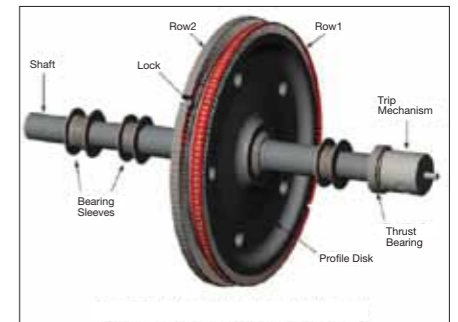
Best possible API 611 turbine deliveries that you can get. 100 % on time or just before time delivery.

Value for Money

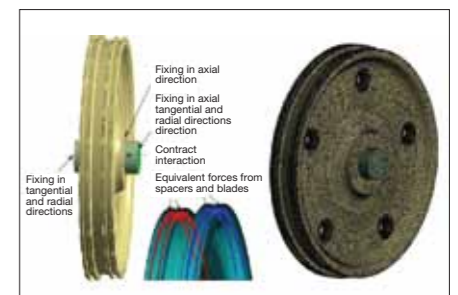
API 611 compliant Steam Turbine is manufactured in India



Trip Valve and Governor Valve



Solid Model of Rotor Assembly



Disk + Shaft FEA Model

Mechanical Drive Applications

- Process and Cooling Water Pumps
- Lube Oil Pumps
- Boiler Feed Water Pumps
- Condensate Extraction Pumps
- Forced Draft Fans
- Induced Draft Fans
- Compressors
- Blowers

Segments catered to

- Oil and Gas
- Petrochemical
- Chemical
- Fertilizer
- Process
- Steel
- Pulp and Paper Mill
- Sugar

Advantages

- Low initial cost
- High reliability
- Short lead time
- Compact design
- Interchangeability of parts
- Quick start capability
- Variable speed capability

CUSTOMER SUPPORT NETWORK

INDIA BUSINESS

CHENNAI

chennai@kepl.in.net

HYDERABAD

hyderabad@kepl.in.net

JAMNAGAR

jamnagar@kepl.in.net

KOLKATA

kolkata@kepl.in.net

MUMBAI

mumbai@kepl.in.net

NEW DELHI

newdelhi@kepl.in.net

VADODARA

vadodara@kepl.in.net

PUNE

kepl@kepl.in.net

KIRLOSKARVADI SERVICE CENTRE

kepl@kepl.in.net

OVERSEAS BUSINESS

KEPL, INDIA

exports@kepl.in.net

UNITED KINGDOM

SPP Pumps Limited

oil&gas@sppumps.com

REST OF EUROPE

Kirloskar Brothers Europe BV

info@kirloskar.eu

AMERICAS

Kirloskar Brothers LLC

santoshk.kulkarni@kbl.co.in

SOUTH EAST ASIA

Kirloskar Brothers (Thailand) Limited

admin@kirloskarthailand.com

SOUTH AFRICA

Braybar Pumps (Pty) Limited

braybar@global.co.za

MIDDLE EAST

Kirloskar Middle East FZE

kmef-admin@kirloskar.ae



Enriching Lives

KIRLOSKAR EBARA PUMPS LIMITED

A Kirloskar Group Company

Head Office :

Pride Kumar Senate Building, Senapati Bapat Road, Pune 411 016, Maharashtra. India.

Phone : +91 20 2560 0100 Fax : +91 20 2560 0351

Email : kepl@kepl.in.net Website : www.kepl.in.net

CIN : U29120MH1988PLCO45865

Works :

Savantpur Vasahat, Kirloskarvadi, Dist. Sangli 416 308, Maharashtra.

Phone : +91 2346 279071 to 75 Fax : +91 2346 279099

